

# Solar energy business

## Mitsui's mission

***Build brighter futures, everywhere***

*Realize a better tomorrow for earth and for people around the world.*

In the face of resource depletion and pollution, Mitsui is committed to creating a bright future.

We are also committed to the development of renewable energy and services, hoping to contribute in the sustainability of the Earth.

In solar energy, we bring together trusted partners to provide our customers with comprehensive solutions.



### BESS - Solution

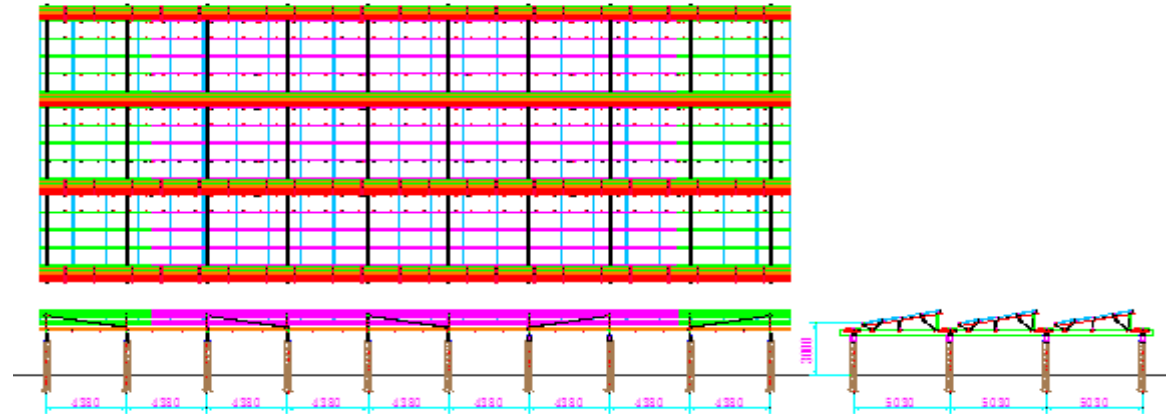
20 feet container  
(250~1,000kWh/container)

40 feet container  
(1,000~2,500kWh/container)

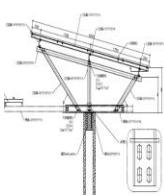
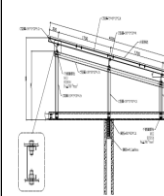
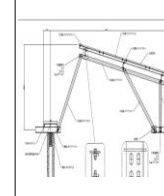
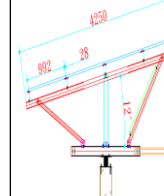


# Solution, services and merits

- designing
- scheduling
- consulting
- optimization
- customization



**SRRS-G-H-VP-4X23-10A陣列示意圖**

		Design A		Design B		Design C		Foxcom Design					
													
The main structure	Bottom beam	Channel steel	C150x75x6.5x10t	150.39	Channel steel	C150x75x6.5x10t	282.91	Channel steel	C180x75x7x10.5t	160.50	H-beam	LH150x100x3.2x4.5	114.62
	Upright	C-beam	C100x50x20x4.5t	39.53	C-beam	C100x50x20x4.5t	29.13	C-beam	C150x75x20x4.0t	48.76	C-beam	C80x43x5.0x8.0t	55.18
	Front support	C-beam	C100x50x20x4.5t	41.01	C-beam	C100x50x20x4.5t	41.01	C-beam	C150x75x20x4.0t	86.19	C-beam	C65x40x8.0x2.3t	22.37
	Back support	C-beam	C100x50x20x4.5t	72.52	C-beam	C100x50x20x4.5t	50.23	C-beam	C150x75x20x4.0t	107.37	C-beam	C65x40x8.0x2.3t	26.33
	Inclined beam	C-beam	C100x50x20x4.5t	121.85	C-beam	C100x50x20x4.5t	121.85	C-beam	C200x75x20x4.0t	233.70	C-beam	C110x50x10x2.3	99.49
	beam	C-beam	C150x75x20x4.0t	402.60	C-beam	C150x75x20x4.0t	402.60	C-beam	C150x75x20x4.0t	591.00	C-beam	C150x50x50x2.3	573.25
	Component support beam	C-beam	C075x45x15x2.3t	312.00	C-beam	C075x45x15x2.3t	312.00	C-beam	C075x45x15x2.3t	312.00			
Comparison		Steel amount for single array [ Kg ]		1,139.90	Steel amount for single array [ Kg ]		1,239.73	Steel amount for single array [ Kg ]		1,539.51	Steel amount for single ar		891.24
		Steel used per MW [ Ton ]		79.16	Steel used per MW [ Ton ]		86.09	Steel used per MW [ Ton ]		106.91	Steel used per MW [ Ton ]		61.89
		Difference		127.90%	Difference		139.10%	Difference		172.74%	Difference		100.00%

# Products

- Rooftop type



- Ground type



- Tracking type



- Energy Storage System

20呎櫃(250~1,000kWh/櫃)

40呎櫃(1,000~2,500kWh/櫃)



## Contact US

1. Jason Allbritton (Mitsui Houston)

[J.Allbritton@Mitsui.com](mailto:J.Allbritton@Mitsui.com)

+1-713-236-6183

2. Ted Wu (Mitsui Taiwan)

[T.Wu@mitsui.com](mailto:T.Wu@mitsui.com)

+886-7-213-2862

3. Teddy Lai (Mitsui Taiwan)

[T.Lai@mitusi.com](mailto:T.Lai@mitusi.com)

+886-7-213-2883

# Actual results 1 - Tainan, Taiwan



# Actual results 2 - Changbin, Taiwan



# Actual results 3 - Datong, Shangxi, China



# Actual results 4 - Mt.Jieming, Xuzhou, China





# Actual results 5 - Shimoichi, Japan



# Actual results 6 - Izu, Japan

